

Embedded Network Video Recorder -

Reliable Network Video Recorder for Small Multi-sites Applications



NVR4CH



NVR8CH



NVR16CH

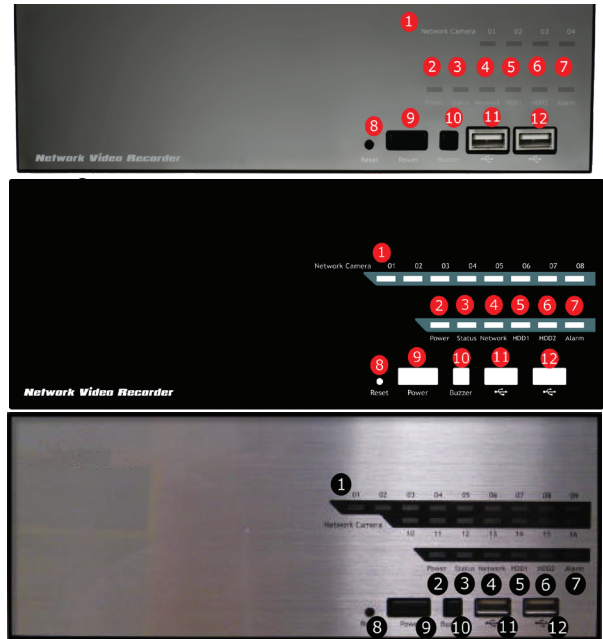
- **Manage up to 16 Network Cameras**
- **Compatible with Major Brand Cameras**
- **High Quality Live/Playback Video**
- **Export Playback Videos to AVI**
- **Web-based E-map Event Alert**
- **Two-way Audio**
- **Support External UPS**
- **Smart Camera Search**
- **Mobile Devices Remote Monitoring**
- **Pure Web Based Administration**

**256CH CMS
FREE Bundled!!**

The Embedded NVR is designed for use within a surveillance system, and performs recordings and playbacks pictures from network cameras in the system. It is designed for small scale applications such as retail store and the system is expanable for multi-sites management with the bundled 256CH CMS software. Up to 16 cameras can be connected via a network and it is possible to record their camera pictures. It is possible to perform the settings or operate the NVR using a web browser installed on a PC connected to a network and live videos can be viewed on major mobile devices through its web browser. Recorded video can be played back from remote site by a PC. Up to 4 PCs (web browsers) can access this unit concurrently and it is possible to perform the settings and operate this unit. The NVR is compatible with most major brand cameras and its ability to automatically search and find the available cameras on the network can greatly reduce the user effort when expanding the system.

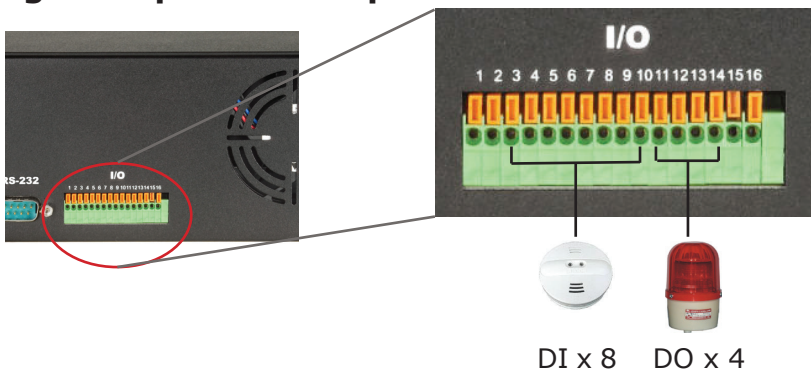
Hardware Specifications

CPU & Memory	<ul style="list-style-type: none"> ARM9 500Mhz/128MB DDR RAM
Ethernet	<ul style="list-style-type: none"> 10BaseT / 100BaseT/1GBaseT and half duplex / full duplex auto-negotiation duplex auto-negotiation
HDD	<ul style="list-style-type: none"> SATA HDD Slot x 2 (SATA I or SATA II) Max. Capacity: 4TB (2TB per HDD)
LED	<ul style="list-style-type: none"> Cameras/Power/System/Network/HD/Alarm
Buttons	<ul style="list-style-type: none"> Reset/Power/Buzzer
Connectors	<ul style="list-style-type: none"> USB x 2 RS-485 DI/DO Connectors RS-232
Power	<ul style="list-style-type: none"> 19V DC/90W
Dimensions	<ul style="list-style-type: none"> 220 x 215 x 81 mm
Weight	<ul style="list-style-type: none"> 10lbs
Temperature	<ul style="list-style-type: none"> Operating: 5 °C ~ 45 °C/41 °F ~ 113 °F Storage: -40 °C ~ 70 °C/-14 °F ~ 158 °F
Humidity	<ul style="list-style-type: none"> 5% ~ 90% (non condensing)
Safety	<ul style="list-style-type: none"> FCC Class A/CE/UL

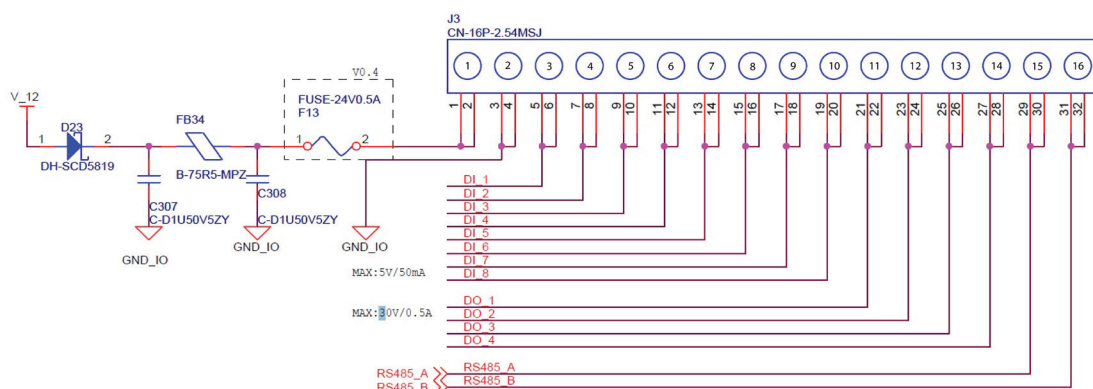


- ① LEDs for camera status
- ② Power LED
- ③ System Status LED
- ④ Network Status LED
- ⑤ Hard Disk 1 Status LED
- ⑥ Hard Disk 2 Status LED
- ⑦ Alarm LED
- ⑧ Reset Button
- ⑨ Power Button
- ⑩ Buzzer Stop Button
- ⑪ USB 1
- ⑫ USB 2

Digital Input and Output



Pin	Signal
1	12V DC
2	GND
3~10	Alarm input
11	Out1
12	Out2
13	Out3
14	Out4
15	RS485+
16	RS485-



Software Specifications

Cameras

Add Camera	Manual/Smart Camera Search
Max. Channels	NVR4CH (4CH), NVR8CH (8CH), NVR16CH (16CH)
Supported Brands	Axis/Sony/Panasonic/AVTech/Canon/D-Link/ACTi/Zavio/AMTK/Vivotek/Arecont Vision/Etrovision/Level 1/Mobotix/Toshiba/Abus/Planet/Pixord/IQInvision/A-Linking/Brickcom/Hunt

Video

Compression	MJPEG/MPEG-4 Part 2/H.264
Resolution	5 MP/HD/MegaPixel/FD1/CIF/QCIF
Max. Frame Rate	NVR4CH -- 120 fps (2 MegaPixel, H.264) NVR8CH -- 240 fps (1.3 MegaPixel, H.264) NVR16CH -- 480 fps (D1, H.264)

Audio

Streaming	Two-way audio
------------------	---------------

Live View

Display Mode	Live View/Playback/Full Screen
Split Screen	NVR4CH -- 1/4 NVR8CH -- 1/4/8 NVR16CH -- 1/4/16, 9/13 (use my favorite mode)
Full Screen	NVR4CH -- 1/4 NVR8CH -- 1/4/8 NVR16CH -- 1/4/16, 9/13 (use my favorite mode)
PTZ Support	Virtual PTZ Panel/Auto Pan/Preset Point/Preset Sequence/Digital PTZ
Sequence Mode	Sequence All/Manually Selected cameras in 1/4 split view with configurable timer
Snapshot	Video snapshot in JPEG format
E-Map	Motion Detected Event Display on E-Map/Google Map
Mobile Device	Live image view through mobile device's web browser Support iPhone/Blackberry/WinMo 6.5/Symbian S60

Playback

Split Screen	1/4
Search Method	Time/Date, Event
Playback Controls	Play/Pause/Stop/Forward/Reverse/Speed Adjust/Frame by Frame
Export AVI	Export Playback Videos to Local Computer in AVI Format

Recording

Capacity	Depends on hard disk
Recording Mode	Manual/Continuous/Scheduling/Event
Scheduling Types	Manual Select/Profile-based/Weekly Mode

Network

Protocols	HTTP/SMTP/DHCP/ARP/NTP/DNS/UPnP/FTP
Streaming Protocols	Depend on the supported cameras

User Management

Management	User/Group
Number of Groups	7 (Administrator/Guest/User Define * 5)
Privileges	Live View/Playback/System Configurations/Camera Configurations/Recording Configuration/Event Configuration/Maintenance

Triggers & Events

Events	<i>System Events</i> -- System Start, System Settings modified, Camera Settings Modified, Start Recycle, Disk Full <i>Camera Events</i> -- Motion/Sensor Detection
Event Actions	Mail/FTP/Buzzer/Record
Event Recording	Pre/Post Event Settings

Central Management

Central Management	Support 256CH "IVS Central Basic" Central Management Software (CMS)
---------------------------	---

Power & Storage

UPS	Support External UPS System
Storage	Support SATA x 2, Max. 2TB per drive

Log Types	Alert/Event/User Access
------------------	-------------------------

Systems

Mini. Hardware Requirements	CPU: Intel Core 2 Duo @ 2.4 Ghz or higher RAM: 1GB or above Network: 100 Megabit Network Interface or above
Mini. Software Requirements	IE Browser version 7 or above

General

Languages	English/Trad. Chinese/Simp. Chinese/Japanese/Spanish/Italian/German/Danish/Czech/Polish/French/Russian/Slovensky/Hungarian/Portuguese
Packaging	Embedded NVR (HD NOT included)/CD with Software tool/Datasheet/Quick Guide/User's Manual/Warranty Card/Power Adapter