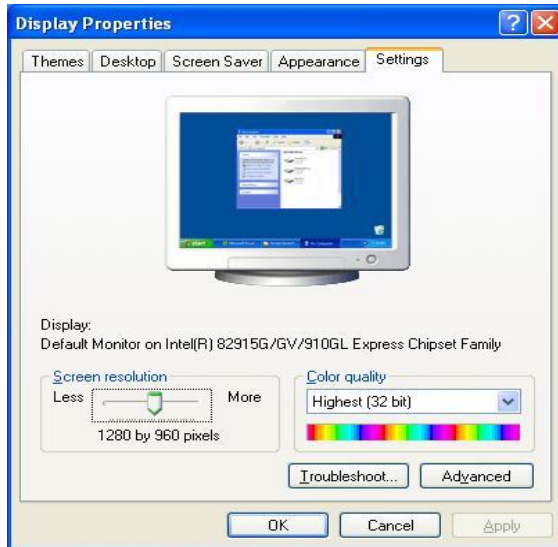


A. Monitor Setting

1. Right-click on the desktop. Select "Properties" and Change "Color Quality" to Highest (32bit).

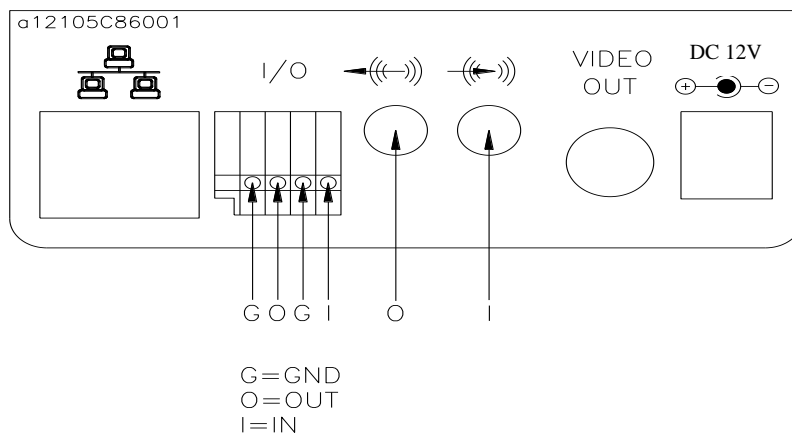


B. Hardware Installation

1. Connect a power adapter and connect IP Camera to PC or network with Ethernet cable



2. Back panel for your reference

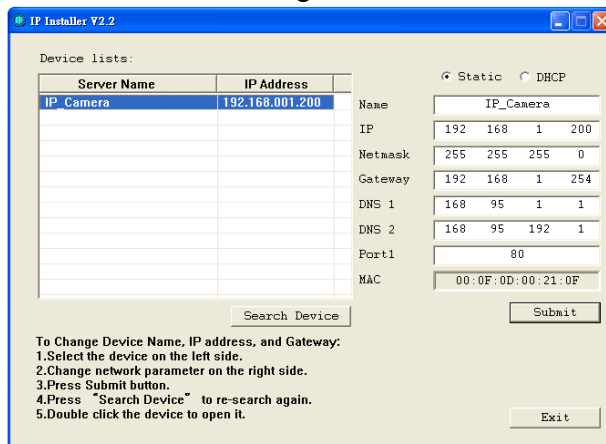


C. IP Assignment

1. Use “IP Installer” to assign an IP address of IP CAMERA.
The IP Installer software is in the attached CD.
2. IP Installer supports two languages.
 - a. IPInstallerCht.exe : Chinese Version
 - b. IPInstallerEng.exe : English Version
3. OS: Windows XP SP2 or above. If the following “Windows Security Alert” popup, please click “Unblock”.



4. The IP Installer configuration is as follows (Default IP: 192.168.1.200).



5. IP Installer will search all IP Cameras connected on LAN. The user can click “Search Device” to search again.
6. Click one of IP Cameras listed on the left side of IP Installer, then the network configuration of that IP Camera will be listed on the right side. If parameters changed, click on “Submit”. Then, the network configuration will be changed. Just click “OK” to

reboot IP Camera.



7. Please make sure the subnet of IP address of PC and IP CAM is the same.

The same Subnet:

IP CAM IP address: 192.168.1.200

PC IP address: 192.168.1.100

Different Subnets:

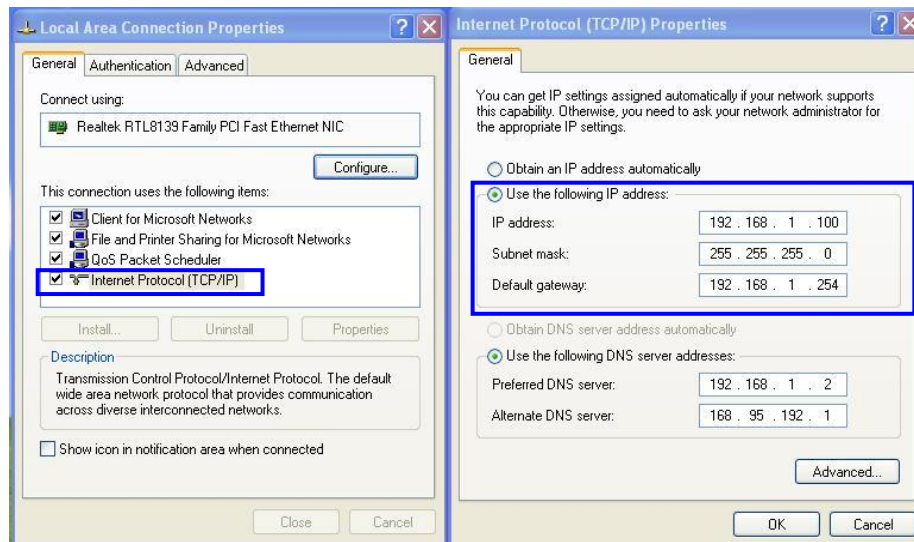
IP CAM IP address: 192.168.2.200

PC IP address: 192.168.1.100

Change PC IP address:

Control Panel → Network Connections → Local Area Connection Properties → Internet Protocol (TCP/IP) → Properties

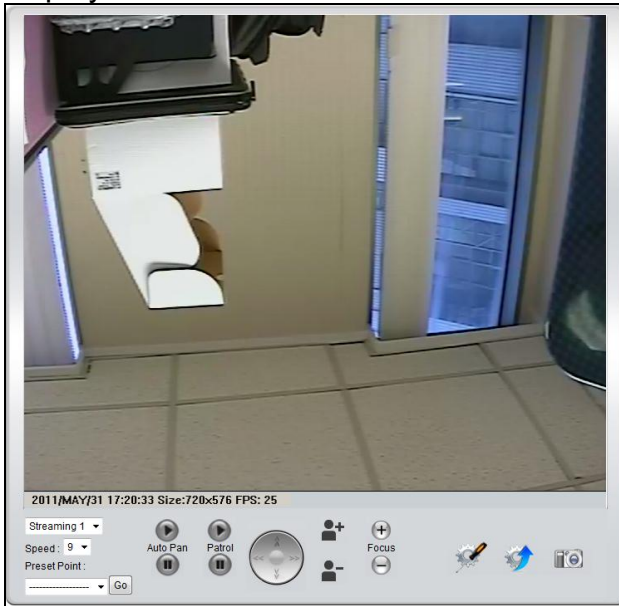
Please make sure your IP Camera and PC have the same Subnet. If not, please change IP Camera IP subnet or PC IP subnet accordingly.



8. A quick way to access remote monitoring is to left-click the mouse twice on a selected IP Camera listed on "Device list" of IP Installer. An IE browser will be opened.
9. Then, please key in the default "User name: admin", and "password: admin" in the following message box.

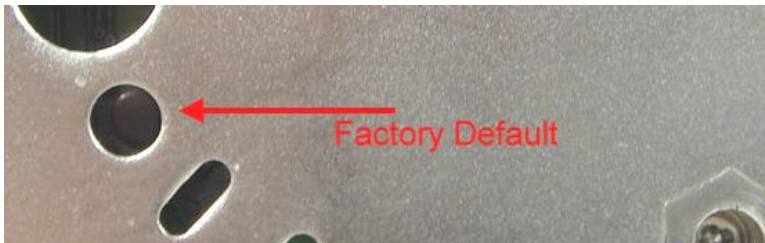


10. If the user name and password are input correctly, the following web page will be displayed.



D. Factory Default

1. If the user name, password, and IP address are lost, please follow the following instructions.
2. Unplug the power adapter first. Then, press the following button in the back of IP Camera.



3. Plug the power adapter. Do not release the button during the IP Camera booting.
4. It will take around 30 seconds to boot the IP Camera.
5. Release the button after the IP Camera finishes booting.
6. Reconnect the IP Camera with the default IP address (<http://192.168.1.200>), user name (admin), and password (admin).

E. SD card Compatibility List

SanDisk 128M	Transcend 128M 80X
SanDisk 256M	Transcend 256M 80X
SanDisk 512M	Transcend 512M 80X
SanDisk 1G	Transcend 1G 80X
SanDisk 2G	Transcend 2G 80X
SanDisk 4G	Transcend 4G 80X