

VANDAL PROOF DOME CAMERA

DCC-521DV

**620TVL,DNR
Day & Night**

Features

- 410K Pixel, 1/3" Sony Color CCD
- High Resolution of 620 TV Lines
- Digital Day & Night, Privacy Zones,
- Motion Detection Function, White Defect Restoration
- Built-in OSD (On Screen Display)
- Weather-proof (IP66)

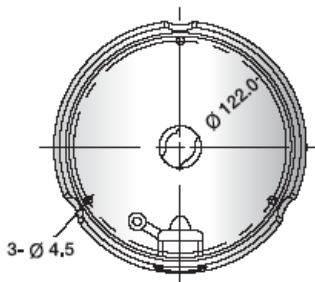
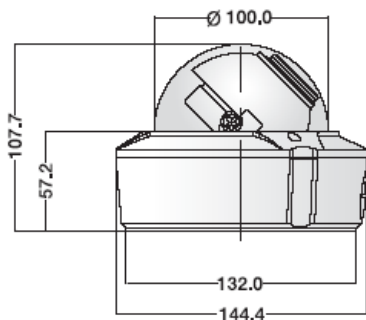
Picture



Specifications

| MODEL | DCC-521DV | |
|------------------------|---|---------------------|
| Signal system | NTSC | PAL |
| Image sensor | 1/3" Sony Super HAD CCD | |
| Total pixels | 811(H)X508(V) | 795(H)X596(V) |
| Effective pixels | 768(H)X494(V) | 752(H)X582(V) |
| Resolution | More than 620 TVL | |
| Scanning frequency | 15.734KHz(H), 60(V) | 15.625KHz(H), 50(V) |
| Shutter speed | 1/60~1/100,000 sec | 1/50~1/100,000 sec |
| Minimum illumination | 0.1 Lux@F1.2 | |
| Day & Night | D&N Function by Digital Change : Auto/Off | |
| Shutter | Fixed / Manual / Flickerless | |
| White balance | ATW / Manual / AWB / Fixed | |
| DNR | On / Off | |
| BLC | On / Off | |
| AGC | On / Off | |
| Privacy zones masking | 4 Zones | |
| Sharpness | On(level : 0 ~ 31) / Off | |
| Camera ID | On / Off | |
| S/N ratio | More than 50dB | |
| Video output | Composite video output 75Ω terminated | |
| Lens | DC Auto Iris Lens (4~9mm), F1.5 | |
| Sync. system | Internal | |
| Operating humidity | 30 % ~ 90 % RH | |
| Operating temperature. | - 10°C to 50° | |
| Dimension | φ100(Bubble) x 97(H) | |
| Weight | About 1.1 kg | |
| Power consumption | Max 2.5W | |
| Power supply | DC 12 V(10.2V~14.5 V) AC 24V (Option) | |

Dimensions



unit : mm