

VANDAL PROOF DOME CAMERA

DCC-520DV

**620TVL,DNR
Day & Night**

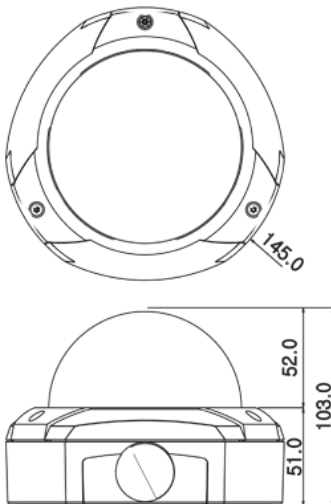
Features

- 410K Pixel, 1/3" Sony Color CCD
- High Resolution of 620 TV Lines
- Digital Day & Night, Privacy Zones,
- Motion Detection Function, White Defect Restoration
- Built-in OSD (On Screen Display)
- Weather-proof (IP66)

Picture



Dimensions



Specifications

MODEL	DCC-520DV	
Signal system	NTSC	PAL
Image sensor	1/3" Sony Super HAD CCD	
Total pixels	811(H)X508(V)	795(H)X596(V)
Effective pixels	768(H)X494(V)	752(H)X582(V)
Resolution	More than 620 TVL	
Scanning frequency	15.734KHz(H), 60(V)	15.625KHz(H), 50(V)
Shutter speed	1/60~1/100,000 sec	1/50~1/100,000 sec
Minimum illumination	0.1 Lux@F1.2	
Day & Night	D&N Function by Digital Change : Auto/Off	
Shutter	Fixed / Manual / Flickerless	
White balance	ATW / Manual / AWB / Fixed	
DNR	On / Off	
BLC	On / Off	
AGC	On / Off	
Privacy zones masking	4 Zones	
Sharpness	On(level : 0 ~ 31) / Off	
Camera ID	On / Off	
S/N ratio	More than 50dB	
Video output	Composite video output 75Ω terminated	
Lens	DC Auto Iris Lens (4~9mm), F1.5	
Sync. system	Internal	
Operating humidity	30 % ~ 90 % RH	
Operating temperature.	- 10°C to 50°	
Dimension	φ100(Bubble) x 97(H)	
Weight	About 1.1 kg	
Power consumption	Max 2.5W	
Power supply	DC 12 V(10.2V~14.5 V) AC 24V (Option)	

unit : mm