

# SPEED DOME CAMERA

## DSC-1000Se

**230X ZOOM, 540TVL  
TDN, 0.009Lux**

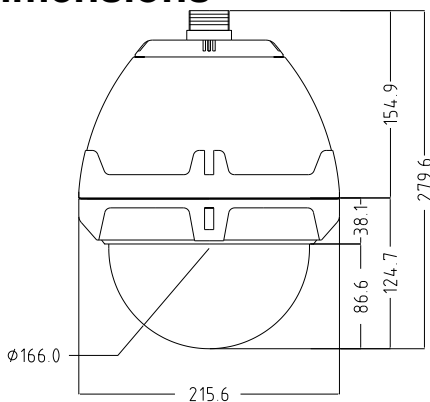
### Features

- 1/4" Sony Progressive Scan CCD, 23x Automatic Focus Optical Zoom (10X Digital)
- Built-in Hitach DSP 8 Module, Day & Night (ICR)
- Min. Illumination 0.009 Lux with Built-in DSS, Perfect WDR function
- Smart Zoom (Speed control by Zoom ratio), 250 Programmable Preset Positions
- Swing, Group, Trace, Spiral, Auto Flip, Alarm, 8 Privacy Masking Zones
- Motion Detection, Weather proof(IP66)
- Suits for Factory, Military Base, Outside Building etc.

### Picture



### Dimensions



unit : mm

### Specifications

MODEL	DSC-1000Se	
Signal system	NTSC	PAL
Image sensor	1/4" Sony Progressive Scan CCD	
Effective pixels	768(H) X 494(V),	752(H) X 582(V),
Horizontal resolution	More than 540 TVL	
Lens	23x Optical zoom, f =3.6 –82.8mm	
Digital zoom	10x (Total zoom 230x)	
Angle of view	Approx 54° (Wide), Approx 2.5° (Tele),	
Minimum illumination	0.5 Lux , 0.1Lux(D&N), 0.009Lux(DSS),/F1.6	
Luminance S/N ratio	More than 50dB	
Video output	1 Vp-p Composite video output 75Ω	
Focus mode	Auto / Manual	
WDR	Auto / Off / Manual ( Level 1~126)	
Motion detection	On/ Off	
Shutter speed	Auto	
Back Light	On / Off	
Auto Flip	On/ Off	
Alarm in/out	8 Inputs / 2 Relay Output	
Pan/Tilt angle	360° Endless / 92°	
Pan speed	0.1° ~ 240°/sec (64 Levels)	
Preset point	250 Presets	
Preset Speed	Max 360°/sec (64 Levels)	
Privacy zones masking	8 Zones	
Operating temperature	- 40°C ~ 50°C (-14°F ~ 122°F)	
Communication system	RS-485 / 422	
Operating Fan/Heater	Over than 45°C / Less than 5°C	
Operating humidity	Less than 90%RH	
Dimensions	215.6mm(Diameter) x 279.6(Height) mm	
Weight	About 5.2Kg ( Without adaptor )	
Construction	Aluminum body , Clear vandal bubble (PC)	
Power consumption	21W (Max)	
Power supply	AC24V, 60/50 Hz	