

# SPEED DOME CAMERA

## DSC-300Si

**230X ZOOM, 540TVL  
TDN, 0.009Lux**

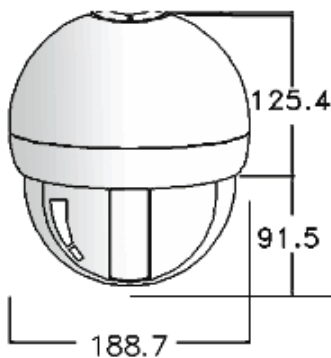
### Features

- 410K PIXEL, 1/4" Sony Progressive Scan CCD, 23x Auto Focus Optical Zoom, (230X in total)
- Built-in Hitachi DSP VI Camera Module, Day & Night (ICR)
- Low Illumination with DSS, 0.009Lux
- Perfect Back Light Compensation (WDR Functions, Smart Zoom (Speed control by Zoom ratio)
- 250 Programmable Preset Positions, Swing, Group, Trace, Spiral, Auto Flip, Alarm etc.
- 8 Privacy Masking Zones, Motion Detection
- Well suited to Department Store, Building, Parking Lot etc.

### Picture



### Dimensions



unit : mm

### Bracket Optional



DSC-30  
EWP

DSC-30  
WP

DSC-20  
CP

DSC-30  
ICB

### Specifications

MODEL	DSC-300Si	
Signal system	NTSC	PAL
Image sensor	1/4" Sony Progressive Scan CCD	
Effective pixels	768(H) X 494(V),	752(H) X 582(V),
Horizontal resolution	More than 540 TVL	
Lens	23x Optical zoom, f =3.6 –82.8mm	
Digital zoom	10x (Total zoom 230x)	
Angle of view	Approx 54° (Wide), Approx 2.5° (Tele),	
Minimum illumination	0.5 Lux , 0.1Lux(D&N), 0.009Lux(DSS),/ F1.6	
Luminance S/N ratio	More than 50dB	
Video output	1 Vp-p Composite video output 75Ω	
Focus mode	Auto / Manual	
WDR	Auto / Off / Manual ( Level 1~126)	
Motion detection	On/ Off	
Shutter speed	Auto	
Back Light	On / Off	
Auto Flip	On / Off	
Alarm in/out	4 Inputs / 1 Relay Output	
Pan/Tilt angle	360° Endless / 92°	
Pan speed	0.1° ~ 240°/sec (64 Levels)	
Preset point	250 Presets	
Preset Speed	Max 360°/sec (64 Levels)	
Privacy zones masking	8 Zones	
Operating temperature	- 10°C ~ 50°C (-14°F ~ 122°F)	
Communication system	RS-485 / 422	
Operating humidity	Less than 90%RH	
Dimensions	188.7mm(Diameter) x 216.9(Height) mm	
Weight	About 3.1Kg ( Without adaptor )	
Construction	ABS body , Clear vandal bubble (PC)	
Power consumption	18W (Max)	
Power supply	AC24V, 60/50 Hz	