

# MINI SPEED DOME CAMERA

## DMS-200

**100X ZOOM  
TDN, DNR**

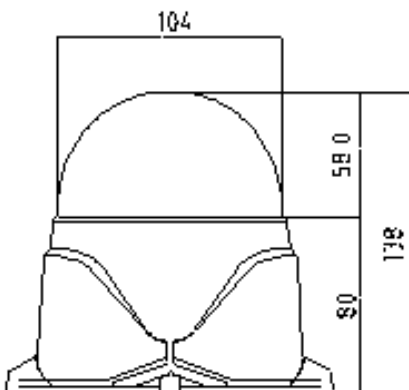
### Features

- 410 K, 1/4" Interline Transfer Sony CCD
- 10x Optical zoom lens, Auto focus, Auto iris and Zoom tracking
- Horizontal resolution of 520 TVL at color mode and 570 TVL at B/W mode
- Day & Night (ICR), Digital noise reduction (DNR), Smart zoom
- 250 Preset Positions, Swing, Group, Spiral, Auto Flip, Alarm
- Privacy Zone Masking (4 Zones),

### Picture



### Dimensions



unit : mm

### Specifications

MODEL	DMS-200	
Signal system	NTSC	PAL
Image sensor	1/4" Sony Super HAD CCD	
Effective pixels	768(H) X 494(V),	752(H) X 582(V),
Horizontal resolution	More than 520 TVL, B/W 570 TVL	
Lens	10x Optical zoom, f =3.8 –38mm ,F 1.8	
Digital zoom	10x (Total zoom 100x)	
Angle of view	Approx 51.2° (Wide), Approx 5.58° (Tele),	
Minimum illumination	0.7 Lux , 0.0007Lux(D&N), 50IRE	
Luminance S/N ratio	More than 50dB	
Video output	1 Vp-p Composite video output 75Ω	
Focus mode	Auto / Manual / Oneshot	
SSNR	Off / Low / Middle / High	
Back Light	Off / Low / Middle / High	
Shutter speed	Auto / 1/128 ~ 1/120,000 sec	
Sharpness control	Level (0 – 10)	
Motion Detection	On/Off	
Alarm in/out	4 Inputs / 1 Relay Output	
Pan/Tilt angle	360° Endless / 92°	
Pan speed	0.1° ~ 240°/sec (64 Levels)	
Preset point	250 Presets	
Preset Speed	Max 360°/sec (64 Levels)	
Privacy zones masking	4 Zones	
Operating temperature	- 10°C ~ 50°C (-14°F ~ 122°F)	
Communication system	RS-485 / 422	
OSD	Built-in	
Operating humidity	Less than 90%RH	
Dimensions	104mm(Diameter) x 138(Height) mm	
Weight	About 0.5Kg	
Construction	PC body , Clear vandal bubble (PC)	
Power consumption	5W	
Power supply	AC24V, 50/60Hz	