

IR CAMERA

DIC-ZC54IR

**10X AF ZOOM
TDN, 570TVL**

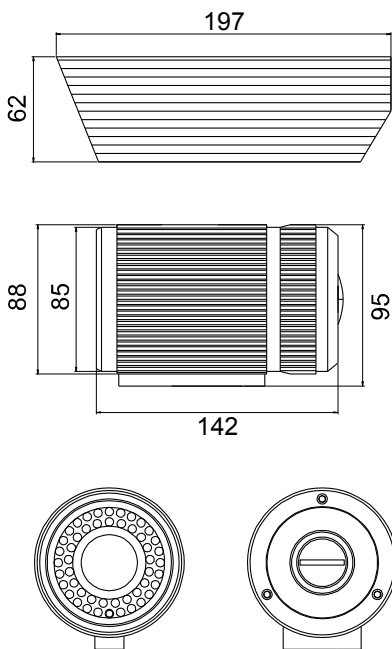
Features

- 1/4" Sony super HAD CCD sensor / Auto focus X10 Zoom
- 500TV Line (Color), 570 TV Line (B/W)
- Digital noise reduction (SSNR)
- Digital low shutter speed (DSS) : X2~X128
- 54PCS High luminance IR LED: Approx. 40M
- RS485 Communication (ID255 , Protocol selectable)

Picture



Dimensions



unit : mm

Specifications

MODEL	DIC-ZC54IR
Image sensor	SONY 1/4" Super HAD CCD
Effective pixels	768(H)×494(V) NTSC 752(H)×582(V) PAL
Resolution	Color: 520 TVL (Min.), B/W: 570 TVL (Min.)
S/N ratio	More than 50dB (AGC OFF)
Iris control	Auto / Manual
Minimum illumination	0.7 Lux. @F1.8(Color) / 0 Lux. IR LED ON(B/W)
White balance	ATW / AWC / Manual
Gain control	Normal / High / Off
Focus	Auto / Manual / One Push
Communication	RS485 (255 ID),
OSD	Full Function OSD Control
IR function	Approx. 40M (54EA) , ICR Function
Lens	x10 Optical zoom, f =3.8mm to 38mm (F1.8)
SSNR	Off / Low / Middle / High
Privacy zones masking	4 Zones
Special function	Heater, Real Time Clock, IR on ILL. Selectable, Image Flip
Digital zoom	x2 ~ x10
ESC	Auto (x128, 1/60 ~ 1/120000)
BLC	Off / Low / Middle / High
Preset point	8 Presets
Video output	Composite (1.0VP-P/75Ω)
Operating temperature	-20℃~50℃(-4°F~ 104°F)
Power supply	DC 12V-30V, AC24V
Operating humidity	RH 85% MAX
Power consumption	Normal:400mA / LED ON:1.2A
Weight	About 2KG