

IR BULLET CAMERA

DIC-40BS

Features

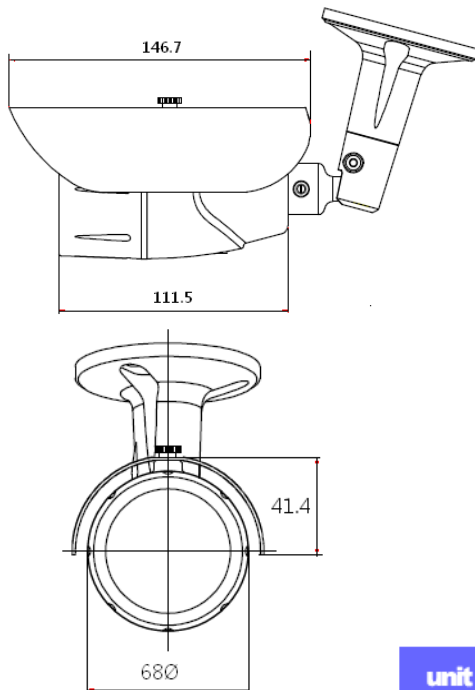
- 410K, Sony 1/3" Color CCD
- High Resolution (up to 620 HTVL)
- Visual Distance maximum up to 25m
- Low 0.1 Lux. (CDS On B/W Mode: 0.00 Lux.)
- Vari-Focal Zoom Lens 4~9mm with ICR(TDN)
- Built-In High Effective IR 36 EA
- Weather-proof (IP66), Concealed bracket type

**620 TVL, 36LED, 25m
IP66, DNR**

Picture



Dimensions



Specifications

MODEL	DIC-40BS	
Signal system	NTSC	PAL
Image Sensor	1/3" Sony super HAD CCD	
Effective Pixels	768(H)X494(V)	752(H)X582(V)
Resolution	More than 620 TV lines	
Scanning Frequency	15.734KHz(H), 60(V)	15.625KHz(H), 50(V)
Shutter Speed	1/60~1/100,000 sec	1/50~1/100,000 sec
Min. Illumination	Color: 0.1 Lux., (CDS ON: 0.00 Lux.)	
Scanning system	2:1 Interlace	
White Balance	ATW	
AGC	Auto	
LED	36 IR LEDs (850nm), 40 degree	
Visibility Range	Max. 25m	
S/N Ratio	More than 52dB	
Video Output	Composite video output 75 ohm terminated	
Lens	4~9 mm DC Auto iris lens (TDN)	
Sync. System	Internal	
Operating Humidity	30 % ~ 90 % RH	
Operating Temp.	- 10°C to 50°	
Dimension	146.7mm(W) X 75.4mm(H) X 68Ø	
Weight	About 600g	
Power Consumption	Max 5W	
Power Supply	DC 12 V, 1A, 50/60Hz	