

IR CAMERA

DIC-4040IR

Weather-proof
48LED, 50m

Features

- 410K Pixel, Sony 1/3" Color CCD
- High Resolution (up to 540HTVL)
- Visual Distance maximum up to 50m
- Low 0.5 Lux. (CDS On B/W Mode : 0.00 Lux.)
- Vari-Focal Zoom Lens 4~9mm (DC Iris lens)
- High Effective IR 48 EA Built-in
- Weather-proof (Outdoor Usage)
- ICR Day & Night (Option)

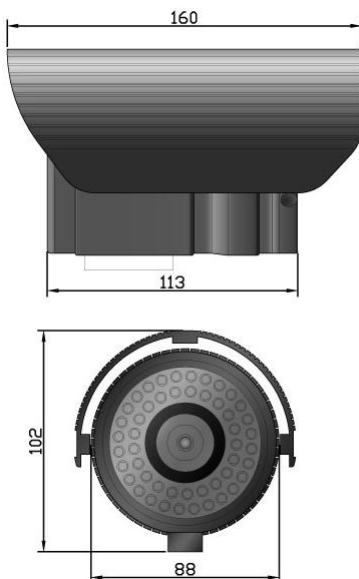
Picture



Specifications

MODEL	DIC-4040IR	
Signal system	NTSC	PAL
Image Sensor	1/3" Sony super HAD CCD	
Effective Pixels	768(H)X494(V)	752(H)X582(V)
Resolution	More than 540 TV lines	
Scanning Frequency	15.734KHz(H), 60(V)	15.625KHz(H), 50(V)
Shutter Speed	1/60~1/100,000 sec	1/50~1/100,000 sec
Min. Illumination	Color : 0.5 Lux., (CDS ON : 0.00 Lux.)	
Scanning system	2:1 Interlace	
LED	IR LED 48 PCS, 5 Ø (850nm), 30 degree	
Visibility Range	Indoor 50m / Outdoor 40m	
S/N Ratio	More than 50dB	
Video Output	Composite video output 75 ohm terminated	
Lens	4~9 mm DC Auto iris lens , 1:1.6~2.4	
Sync. System	Internal	
Operating Humidity	30 % ~ 90 % RH	
Operating Temp.	- 10°C to 50°	
Dimension	104mm(W) X 102mm(H) X 160mm(L)	
Weight	About 1.7Kg	
Power Consumption	750mA	
Power Supply	DC 12 V 1.5A, 50/60Hz	

Dimensions



unit : mm