

COLOR DOME CAMERA

DCC-600D

560TVL
WDR, DSS, DNR

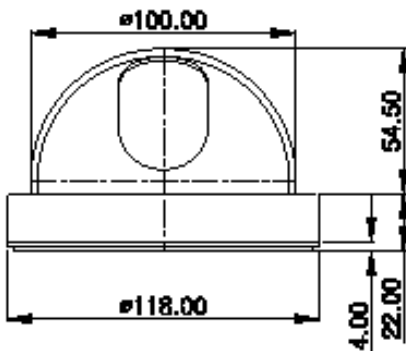
Features

- 410K Pixel double density interline Sony 1/3" CCD
- Powerful 128X WDR function (Max.52dB)
- High Resolution (up to 560 TV Line)
- Day & Night , Privacy Masking Zone, Motion Detection Function
- Built-in OSD (On Screen Display) Menu
- DNR (Digital Noise Reduction)
- Low up to 0.00004 Lux Camera
- 10X Digital Zoom

Picture



Dimensions



unit : mm

Specifications

MODEL	DCC-600D	
Signal system	NTSC	PAL
Image Sensor	1/3" double density interline Sony 1/3" CCD	
Total Pixels	811(H)X508(V)	795(H)X596(V)
Effective Pixels	768(H)X494(V)	752(H)X582(V)
Resolution	More than 560 TV lines	
Scanning Frequency	15.734KHz(H), 60(V)	15.625KHz(H), 50(V)
Shutter Speed	1/60~1/100,000 sec	1/50~1/100,000 sec
Min. Illumination	Color : 0.3 Lux@F1.2(Color) 0.00004Lux (Sense-up)	
Day & Night	D&N Function by Digital Change : Auto/Off	
Shutter	ESL / Manual / Flickerless	
White Balance	ATW / AWC / MANUAL/Outdoor/Indoor	
FLIP	Off / On	
AGC	Low / Middle / High / Off	
DIS	On/Off	
Digital Zoom	10X	
DNR	Auto / Off	
Privacy Zone & Motion Detection	8 Programmable Zone	
Sharpness	On(level : 0 ~ 31) / Off	
Camera ID	On / Off	
S/N Ratio	More than 52dB	
Video Output	Composite video output 75 ohm terminated	
Lens	3.6mm	
Sync. System	Internal	
Operating Humidity	30 % ~ 90 % RH	
Operating Temp.	- 10°C to 50°	
Dimension	φ100(Bubble) x 76.5(H)mm	
Weight	About 300g	
Power Consumption	180mA	
Power Supply	DC 12 V(10.2V~14.5 V)	