

COLOR DOME CAMERA

DCC-520PV

**620TVL, DNR
Day & Night**

Features

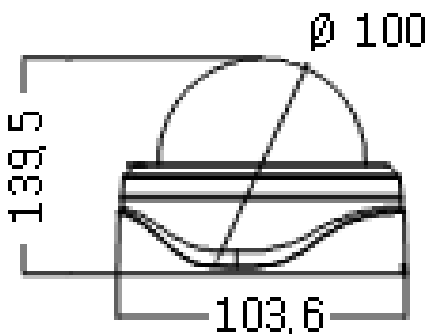
- 410K Pixel Sony 1/3" Sony HAD CCD
- High Resolution of 620TV Lines
- Built-in 2.8-12mm DC Iris Lens
- Privacy Zones, Motion Detection, Day & Night, BLC, AGC, ATW, OSD Menu
- Dual mounting with flush & surface

Picture



In-Ceiling

Dimensions



unit : mm

Specifications

| MODEL | DCC-520PV | |
|-----------------------|-----------------------------------------------------------------|---------------------|
| Signal system | NTSC | PAL |
| Image sensor | 1/3" Sony super HAD CCD | |
| Total pixels | 811(H)X508(V) | 795(H)X596(V) |
| Effective pixels | 768(H)X494(V) | 752(H)X582(V) |
| Resolution | More than 620 TVL | |
| Scanning frequency | 15.734KHz(H), 60(V) | 15.625KHz(H), 50(V) |
| Shutter speed | 1/60~1/100,000 sec | 1/50~1/100,000 sec |
| Minimum illumination | 0.1Lux @F1.2 | |
| Mirror | On / Off | |
| Shutter | Fixed / Manual / Flickerless / Auto | |
| White balance | ATW / Manual / AWB / Fixed | |
| DNR | On / Off | |
| BLC | On / Off | |
| Day & Night | On / Off / Auto | |
| Privacy zone | 4 Zones | |
| AGC | On / Off | |
| Camera ID | On / Off | |
| Language | English / Japanese / Chinese | |
| S/N ratio | More than 50dB | |
| Video output | Composite video output 75Ω terminated | |
| Lens | 2.8~12mm Auto Iris Lens | |
| Sync. system | Internal | |
| Operating humidity | 30 % ~ 90 % RH | |
| Operating temperature | - 10°C to 50° | |
| Dimension | φ100(Bubble) x 139.5(H)mm | |
| Weight | About 560g | |
| Power consumption | Max 2.5W | |
| Power supply | DC 12 V(10.2V~14.5 V) Dual Voltage(Optional) : AC24V / DC12V | |