

## CONTROL KEYBOARD

## DCK-500A

**TFT LCD, Touch Screen  
3 Axis, Jog-Shuttle**

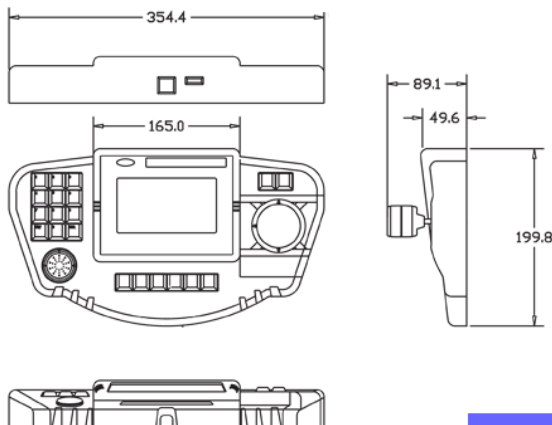
## Features

- 5.2" TFT LCD with Touch Screen
- Can Control Matrix, CCTV Receiver and DVR (Total Control System)
- 512 Units CCTV Receiver and Camera Control
- Protocol Setting from Each Camera
- Lock Function for Camera and Monitor
- Compatible with Alarm Receiver Unit (up to 512 Units Sensor)
- Control Max 64 Monitors & Max 500 Preset Positions
- Jog-Shuttle DVR Control

## Picture



## Dimensions



unit : mm

## Specifications

MODEL	DCK-500A
Control	Pan / Tilt , Zoom ,Focus, Power , Auto Pan AUX Control x 2 , Preset, Group, Trace Matrix, DVR, Quad,
Connecting unit	CCTV Receiver (DRX-502A/500) PTZ Dome camera Matrix, DVR, Quad,
Sub control	Max. 16 units
Video input	2 Ch
Display	5.2" TFT LCD
Communication system	RS-485 (422)
Communication speed	Multi Baud Rate 2400/4800/9600bps, N , 8 , 1
Connector	Modular cable connection with junction box Power supplied via junction box
Receiver control	Max. 512 Receiver
DVR Control	Max. 64 DVR
Package	Junction Box(1), 10M cable(1)
Operating distance	Shielded twisted pair cable: Up to 1.2km
Power supply	DC12V, 1A
Power consumption	6W
Operating temperature	0°C ~ +40°C
Weight	About 1.4Kg
Dimensions	354.4(W) x 89.1 (H) x 199.8 (D)mm